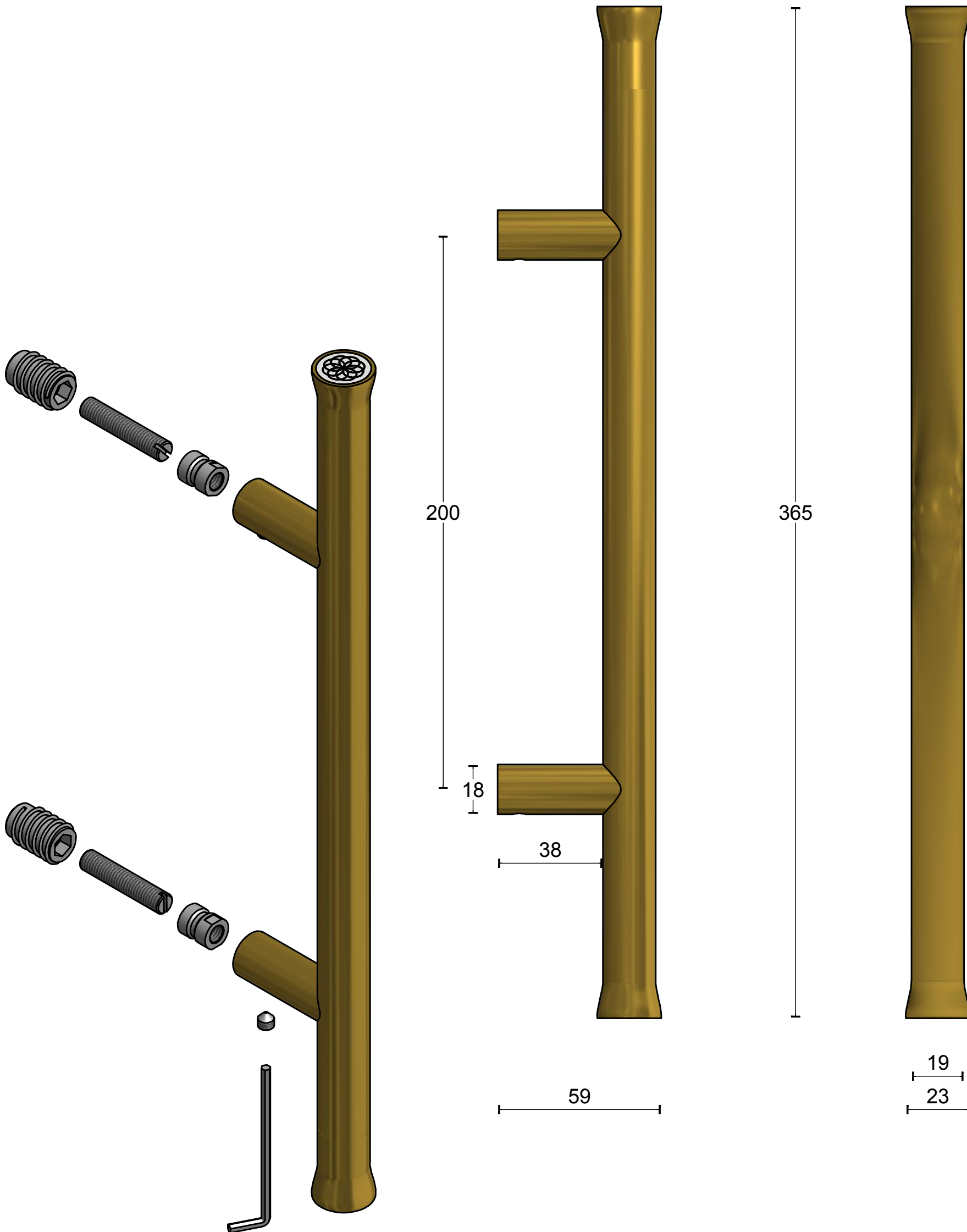


# EV365 NP

solid pull handle  
 concealed fixing  
 stainless steel  
 PVD satin gold



|  |                                   |                      |                |
|--|-----------------------------------|----------------------|----------------|
| <h1>FORMANI®</h1>  |                                   | Part number:         |                |
|  |                                   | Description:         |                |
| Doc no.:   | 3101G001IMXX1 EV365 NP IM V02.dwg | <h2>EV365 NP IM</h2> | Format:        |
| Drawn by:  | Christian Brimbois                |                      | Creation date: |
| Formani Holland B.V. · Amerikalaan 55 · 6199 AE Maastricht Airport · tel: +31 (0)43 308 90 00 · www.formani.nl · info@formani.nl |                                   |                      |                |

**A3**